
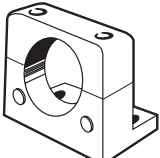



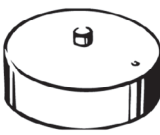



Accessories for Standard Photoelectric, Inductive and Capacitive Sensors

Accessories

Mounting brackets, covers, slits and adjustment aids

For cylindrical shapes

Shape	Product group	Type	Housing material	Features	Order reference	Applicable sensors
	Mounting brackets	general purpose - screw fix	plastic	- cost efficient mounting bracket - for M8, M12, M18, M30 - surface mounting	Y92E-B	-E3F2 -E2A -E2F
				for dia 34 mm	Y92E-A34	E2K-C
		quick access - snap fix	- snap fix for quick sensor access - for M8, M12, M18, M30 - surface mounting	Y92E-BC	-E3F2 (metal housing) -E2A (metal housing)	
		quick access - clamp fix	stainless steel	- clamp fix for quick sensor access with exact repositioning - for M8, M12, M18, M30 - through mounting	Y92E-G	
	Protective covers	general purpose sensor head protection	polyarylate	- for M8, M12, M18, M30 - for shielded and unshielded	Y92E-E	-E2A (-E2F)
		sputter protection for sensor head	silicone rubber	- increased protection in weld fields - for M12, M18, M30 - for shielded	Y92E□-2	
		general purpose lens protection	metal rim with glass cover		E39-F31	E3F2

General Purpose Cable Connectors (M8 / M12)

Y92E

Model Number Legend

Y92E - □□□□ - □□□□ - □
 1 2 3 4 5 6 7 8 9

1. Connector type

- M: standard female screw on connector
- S: stainless steel female screw on connector
- MM: male metric screw plug
- MS: female snap connector

2. Size

- 08: M8 size
- 12: M12 size

3. Material

- PVC: PVC cable
- PUR: PUR cable

4. Nr of poles

- 3: 3 poles
- 4: 4 poles
- 5: 5 poles

5. Shape

- A: angled
- S: straight

6. Length

- 2M: standard 2 m length
- 5M: standard 5 m length
- 10M: standard 10 m length

7. LED

- LED: with LED
- [blank]: no LED

8. Specials

9. Supply code

- L designed and manufactured by Lumberg
- H designed and manufactured by Hirschmann

Ordering information

General purpose models

Product description ¹	Connector	Size	Cable material	Poles	Type	Length (m)	LED	Nut	
Y92E-M08PUR3A2M-x	female	M8	PUR	3	Angled	2	no	-H: Zinc diecast (ZnAl Cu) -L: brass (CuZn)	
Y92E-M08PUR3A5M-x						5			
Y92E-M08PUR3A10M-x						10			
Y92E-M08PUR3S2M-x					Straight	2			
Y92E-M08PUR3S5M-x						5			
Y92E-M08PUR3S10M-x						10			
Y92E-M08PUR4A2M-x				4		Angled			2
Y92E-M08PUR4A5M-x									5
Y92E-M08PUR4A10M-x									10
Y92E-M08PUR4S2M-x					Straight	2			
Y92E-M08PUR4S5M-x						5			
Y92E-M08PUR4S10M-x						10			
Y92E-M08PVC3A2M-x			PVC	M8	3	Angled			2
Y92E-M08PVC3A5M-x									5
Y92E-M08PVC3A10M-x									10
Y92E-M08PVC3S2M-x						Straight			2
Y92E-M08PVC3S5M-x									5
Y92E-M08PVC3S10M-x									10
Y92E-M08PVC4A2M-x					4	Angled			2
Y92E-M08PVC4A5M-x									5
Y92E-M08PVC4A10M-x									10
Y92E-M08PVC4S2M-x						Straight			2
Y92E-M08PVC4S5M-x									5
Y92E-M08PVC4S10M-x									10

Product description ¹	Connector	Size	Cable material	Poles	Type	Length (m)	LED	Nut		
Y92E-M12PUR3A2M-x	female	M12	PUR	3	Angled	2	no	-H: Zinc diecast (ZnAl Cu) -L: brass (CuZn)		
Y92E-M12PUR3A5M-x						5				
Y92E-M12PUR3A10M-x						10				
Y92E-M12PUR3S2M-x					Straight	2				
Y92E-M12PUR3S5M-x						5				
Y92E-M12PUR3S10M-x						10				
Y92E-M12PUR4A2M-x				4	Angled	2				
Y92E-M12PUR4A5M-x						5				
Y92E-M12PUR4A10M-x						10				
Y92E-M12PUR4S2M-x					Straight	2				
Y92E-M12PUR4S5M-x						5				
Y92E-M12PUR4S10M-x						10				
Y92E-M12PUR5A2M-x			5	Angled	2					
Y92E-M12PUR5A5M-x					5					
Y92E-M12PUR5S2M-x					Straight	2				
Y92E-M12PUR5S5M-x				5						
Y92E-M12PVC3A2M-x				PVC		3			Angled	2
Y92E-M12PVC3A5M-x					5					
Y92E-M12PVC3A10M-x			10							
Y92E-M12PVC3S2M-x			Straight		2					
Y92E-M12PVC3S5M-x					5					
Y92E-M12PVC3S10M-x					10					
Y92E-M12PVC4A2M-x			4		Angled	2				
Y92E-M12PVC4A5M-x						5				
Y92E-M12PVC4A10M-x		10								
Y92E-M12PVC4S2M-x		Straight			2					
Y92E-M12PVC4S5M-x					5					
Y92E-M12PVC4S10M-x					10					
Y92E-M12PVC5A2M-x		5	Angled	2						
Y92E-M12PVC5A5M-x				5						
Y92E-M12PVC5A10M-x				10						
Y92E-M12PVC5S2M-x			Straight	2						
Y92E-M12PVC5S5M-x				5						
Y92E-M12PVC5S10M-x				10						
Y92E-M08PUR3A2MLED-x		female	M8	PUR	3	Angled			2	yes
Y92E-M08PUR3A5MLED-x				PVC					5	
Y92E-M08PVC3A2MLED-x	M12		PUR	2						
Y92E-M12PUR3A2MLED-x				5						
Y92E-M12PUR3A5MLED-x		10								
Y92E-M12PVC3A2MLED-x		PVC	2							
Y92E-M12PVC3A5MLED-x			5							
Y92E-M12PVC3A10MLED-x			10							
Y92E-MS08PVC3A2M-x	female (snap)	M8	PVC	4		Straight	2	no		
Y92E-MS08PVC3A5M-x							5			
Y92E-MS08PVC3S5M-x							5			
Y92E-MS08PVC4S5M-x			3			Angled	5			
Y92E-MS08PVC3A5MLED-x					5					

¹ '-L' or '-H' are added to the product description

Detergent resistant models

Product description	Connector	Size	Cable material	Poles	Type	Length (m)	LED	Nut
Y92E-S08PVC4A2M-L	female	M8	PVC	4	Angled	2	no	SUS
Y92E-S08PVC4A5M-L						5		
Y92E-S08PVC4S2M-L					Straight	2		
Y92E-S08PVC4S5M-L						5		
Y92E-S12PVC4A2M-L		M12			Angled	2		
Y92E-S12PVC4A5M-L						5		
Y92E-S12PVC4C2M-L					Straight	2		
Y92E-S12PVC4S5M-L						5		

Specifications

Rated current	4 A
Rated voltage	M8 3 pin: 60 V M8 4 pin: 60 V (-H), 30 V (-L) M12 3- or 4-wire: 240 V M12 5-wire: 60 V with LED: 10-30 V
Degree of protection	IP67
Ambient temperature	-25 to +70 °C M8 and M12 (PVC cable) -25 to +80 °C M8 and M12 (PUR cable)
Specials	-H: Silicone-free PUR cable: Halogene-free

M8 pin assignment

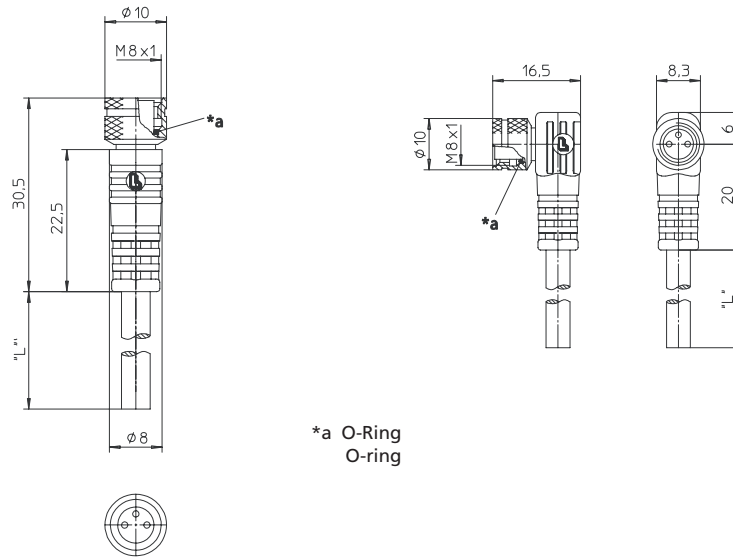
3 poles		4 poles	
	1 = brown 3 = blue 4 = black		1 = brown 2 = white 3 = blue 4 = black

M12 pin assignment

3 poles		4 poles		5 poles	
	1 = brown 2 = n.c. 3 = blue 4 = black		1 = brown 2 = white 3 = blue 4 = black 5 = n.c.		1 = brown 2 = white 3 = blue 4 = black 5 = green / yellow

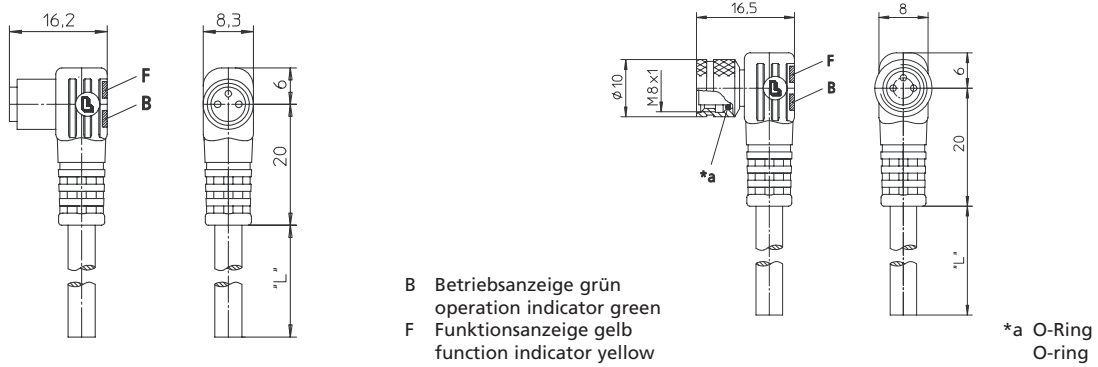
Dimensions

General purpose
Y92E-M08□-L



*a O-Ring
O-ring

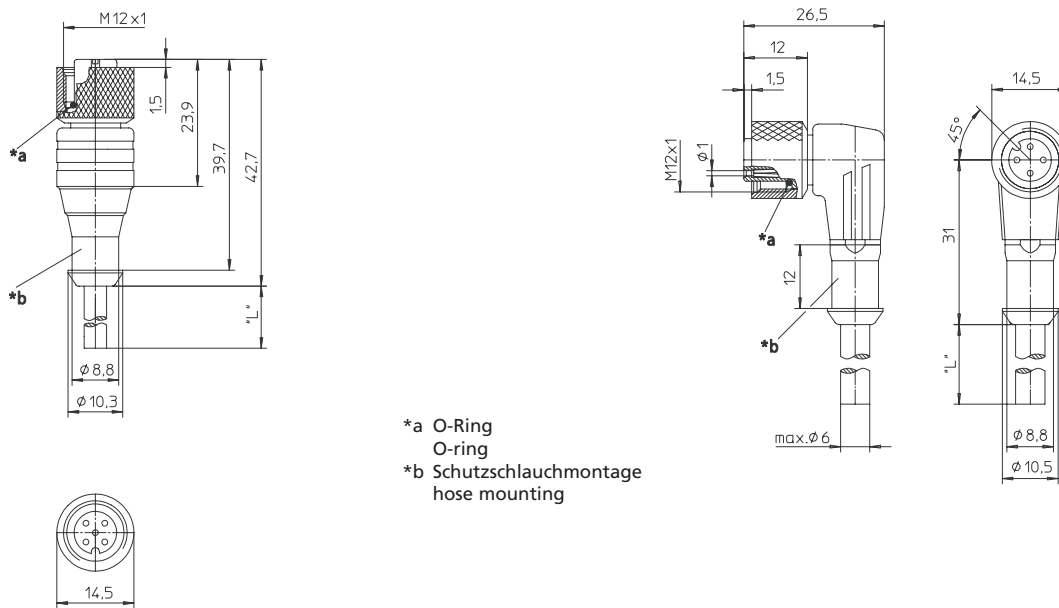
Y92E-M08□-LED-L



B Betriebsanzeige grün
operation indicator green
F Funktionsanzeige gelb
function indicator yellow

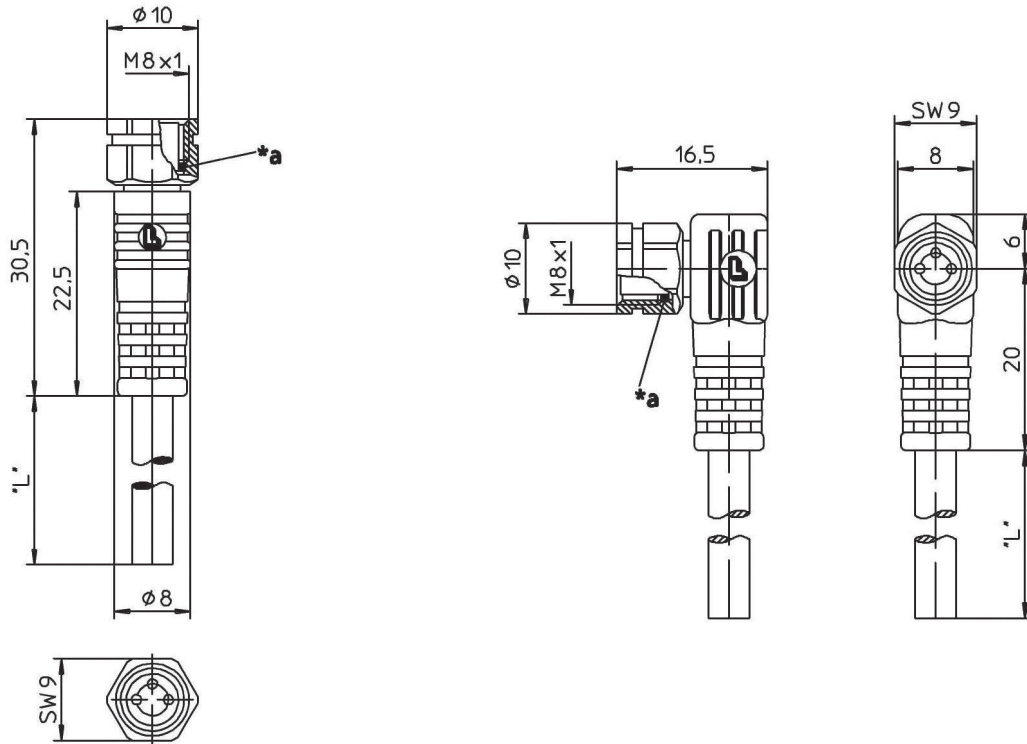
*a O-Ring
O-ring

Y92E-M12□-L



*a O-Ring
O-ring
*b Schutzschlauchmontage
hose mounting

Detergent resistant
Y92E-S08



Y92E-S12

